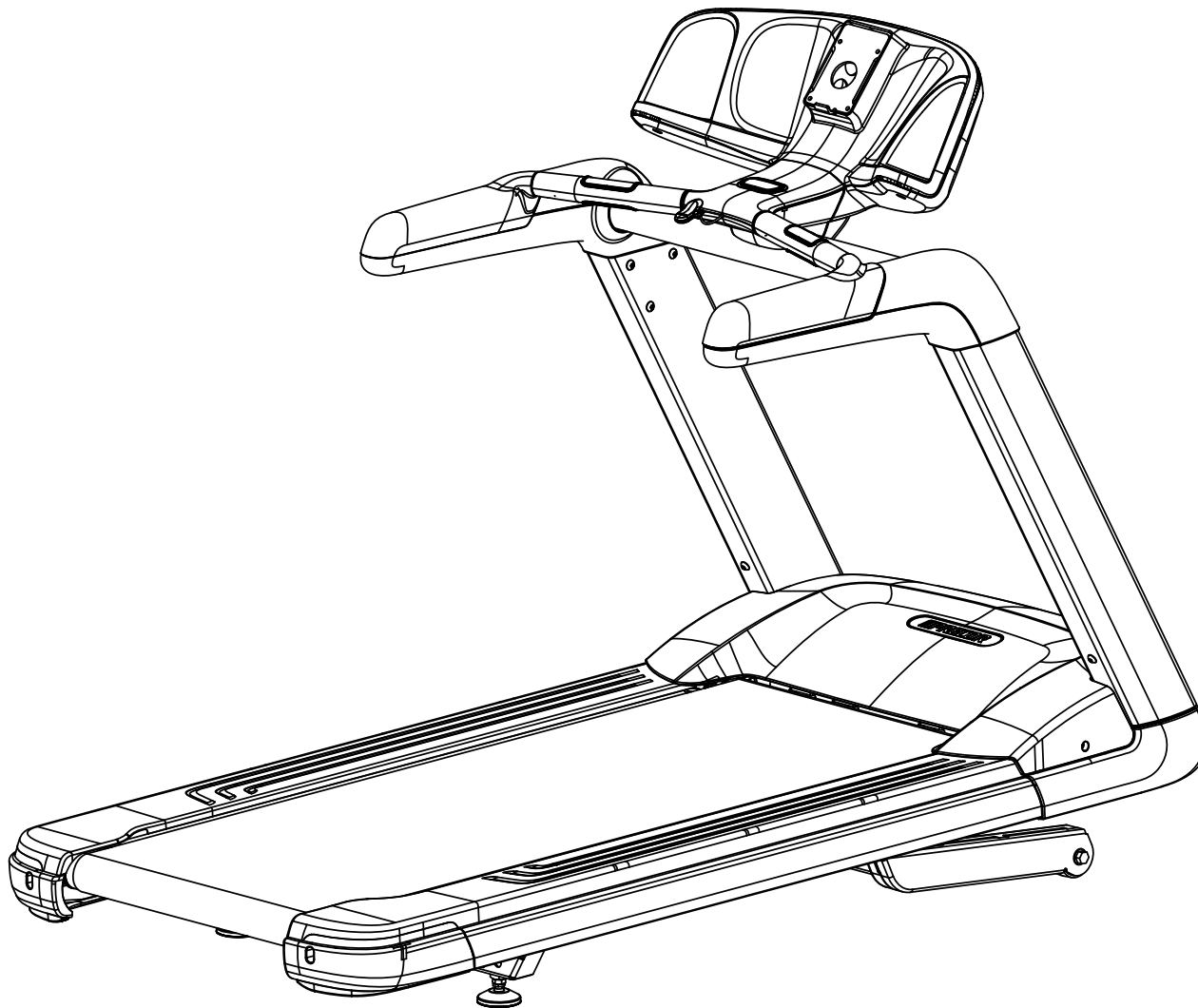


D

C

B

A



PRODUCT:
TRM600-18

| | | | |
|---------|----------|-----|------|
| DRWN BY | 08/22/18 | SAH | SIZE |
| CS | 08/22/18 | SM | A |

| | |
|------|--------|
| PAGE | 1 OF 7 |
|------|--------|

| | |
|----------|------------|
| DWG. NO. | 305394-101 |
|----------|------------|

PRECOR

| | |
|--------|-----|
| SUBREV | A01 |
|--------|-----|

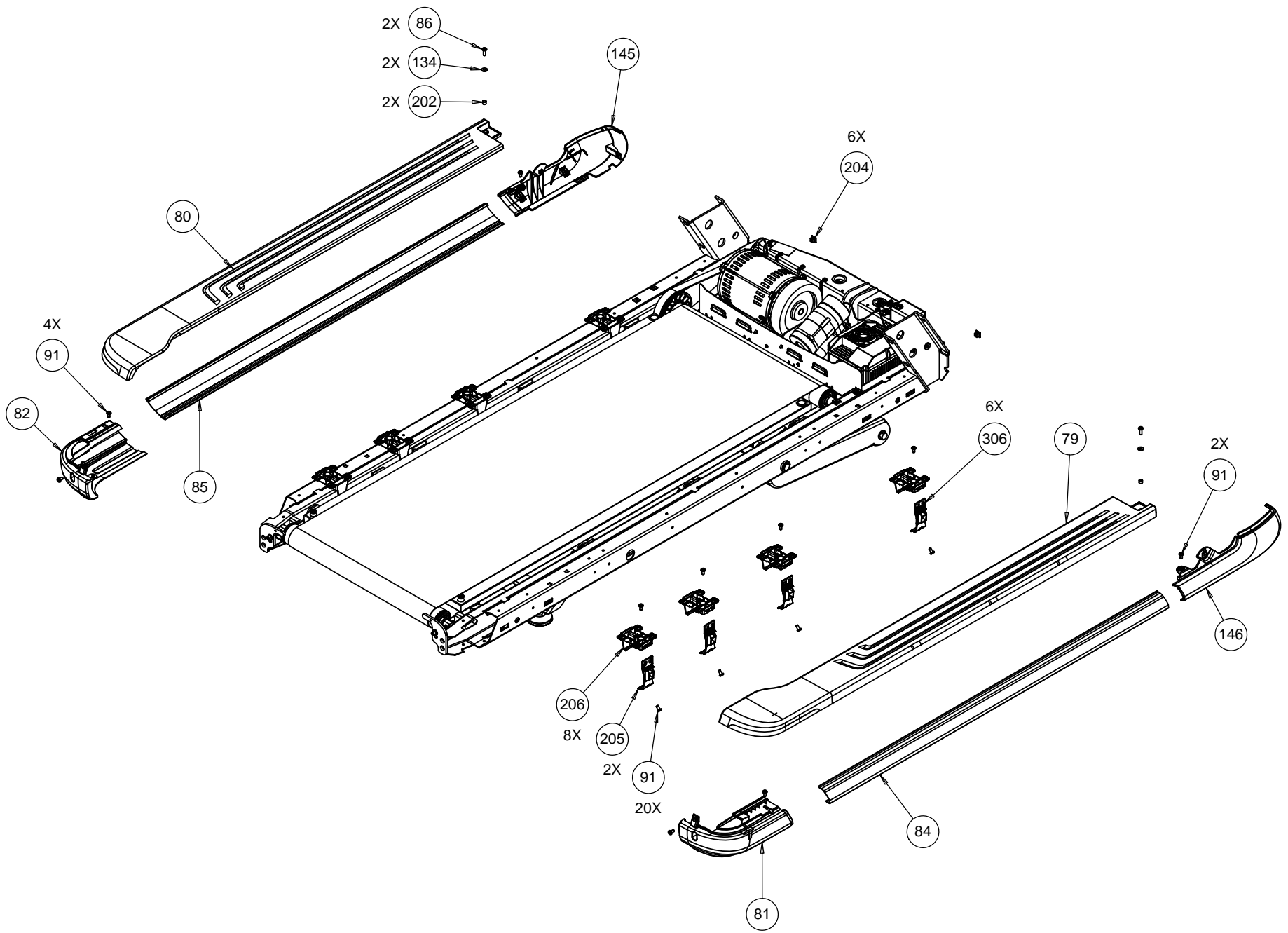
DRAWING TEMPLATE REV: D

D

C

B

A

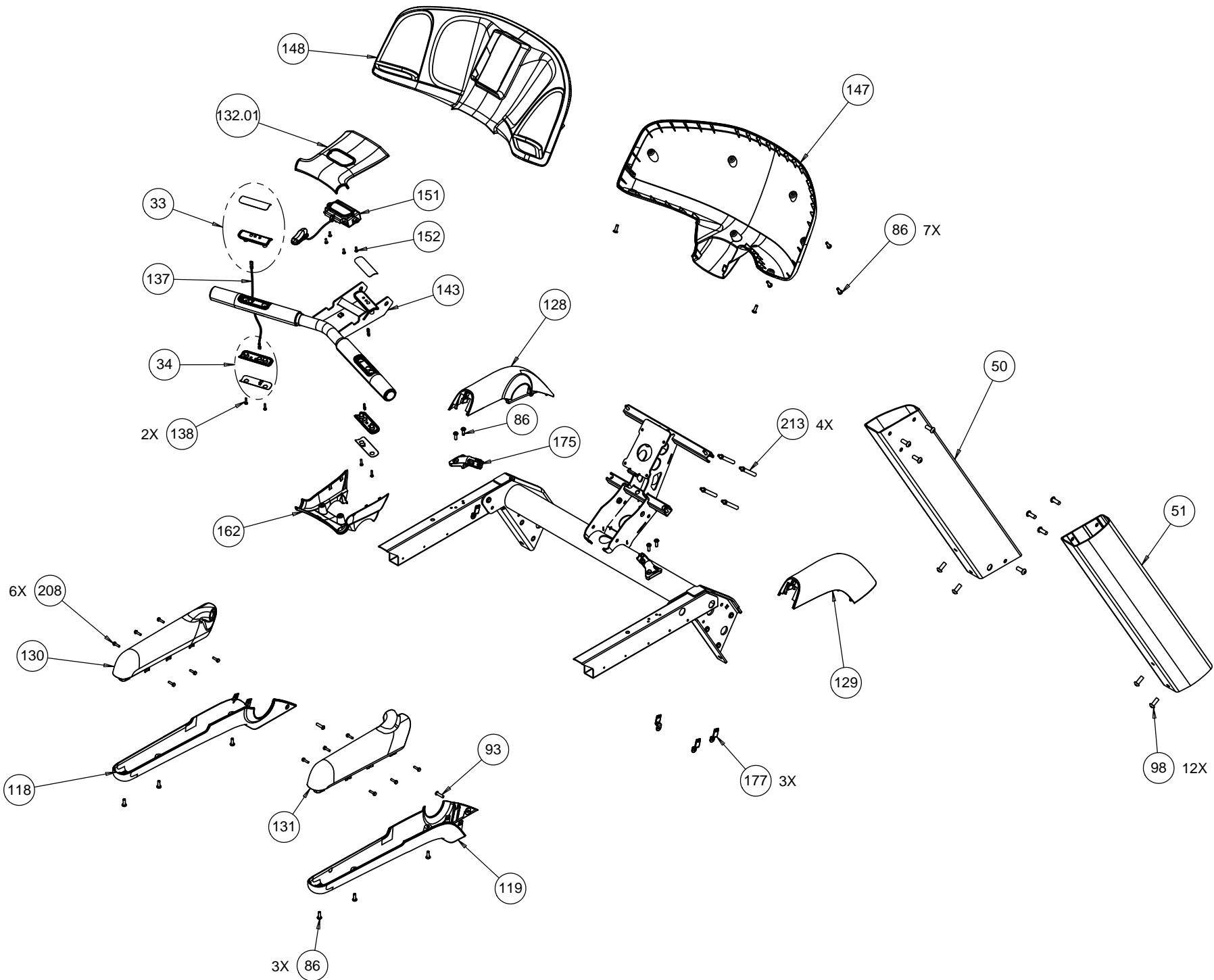


4

3

2

1

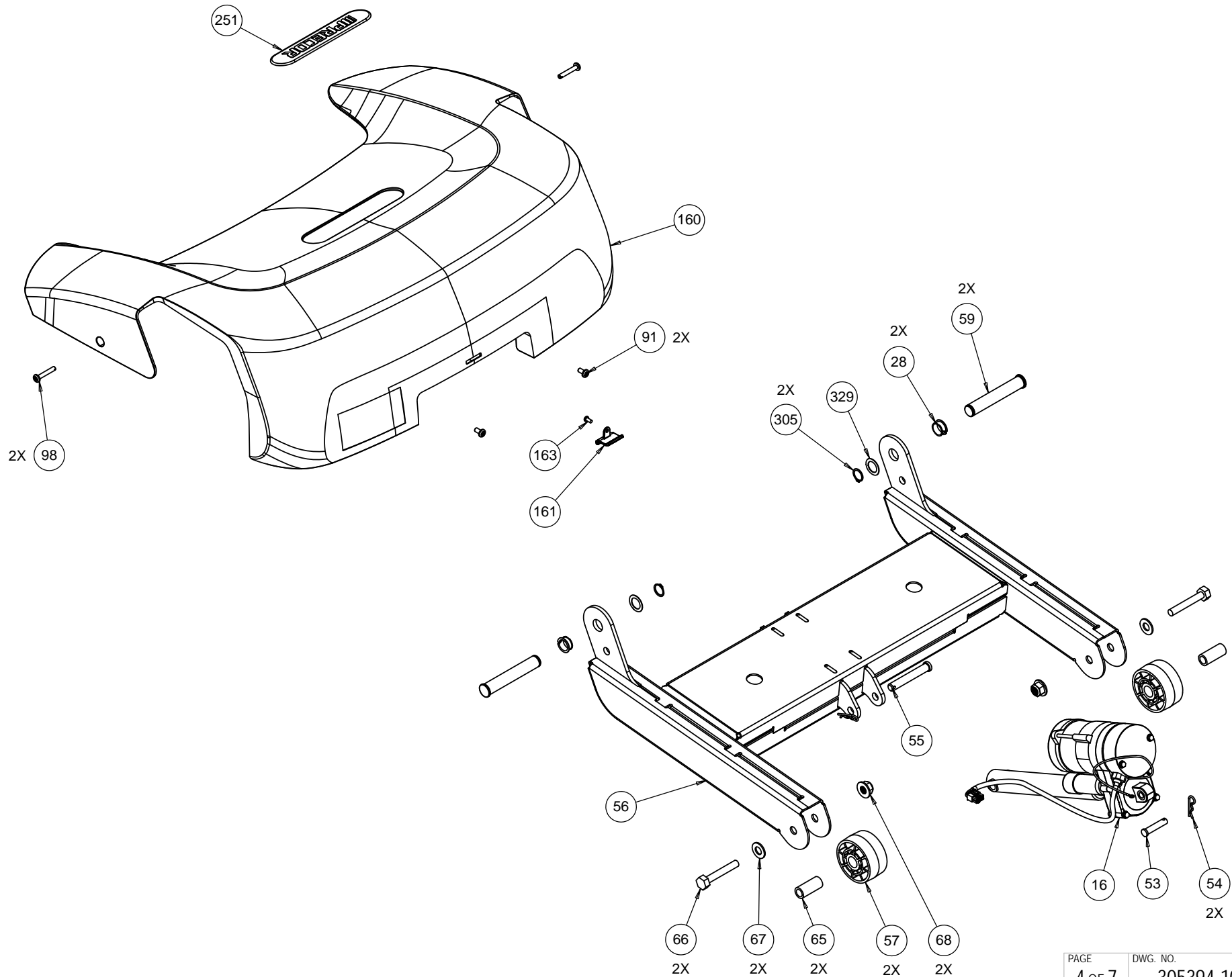


4

3

2

1

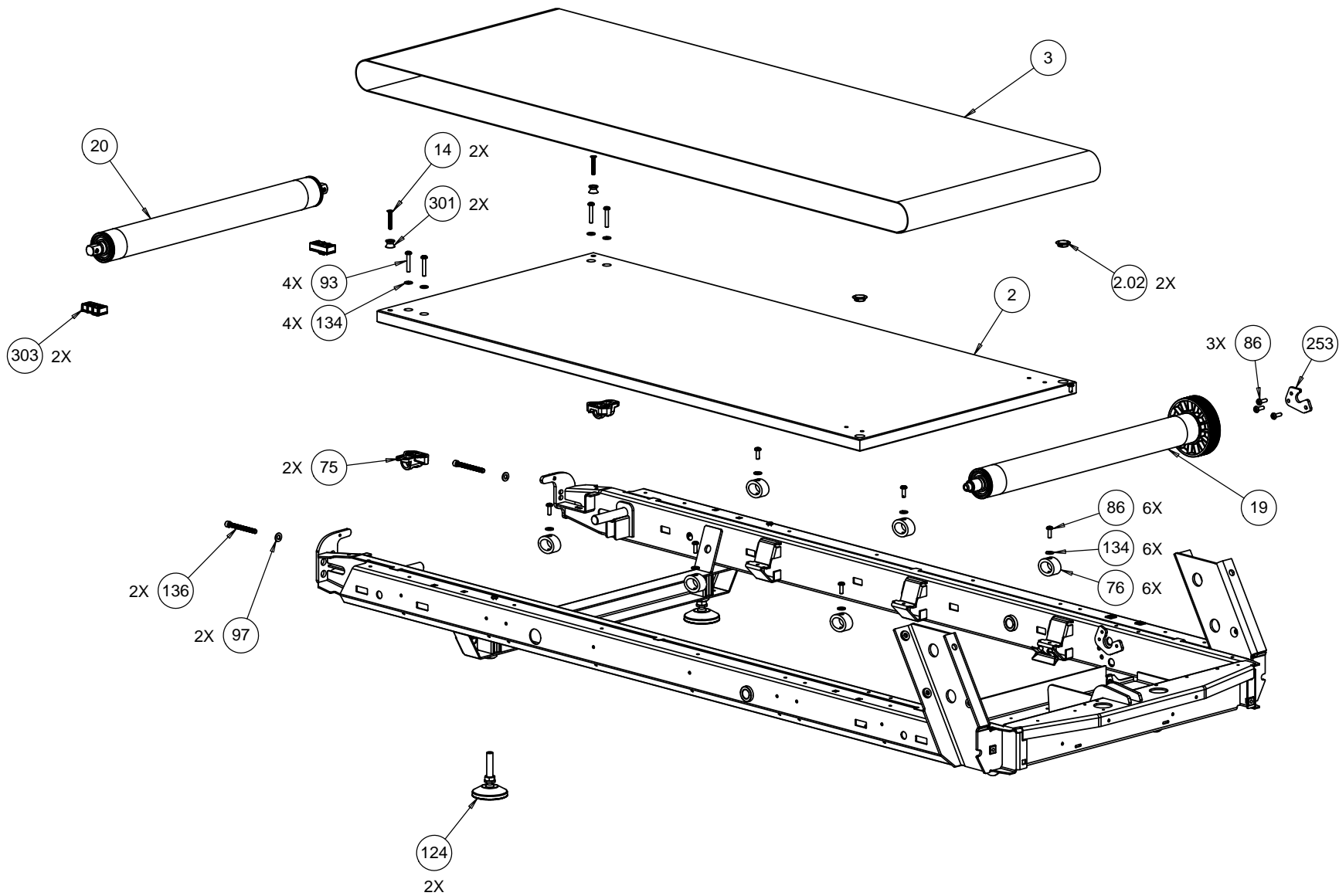


4

3

2

1

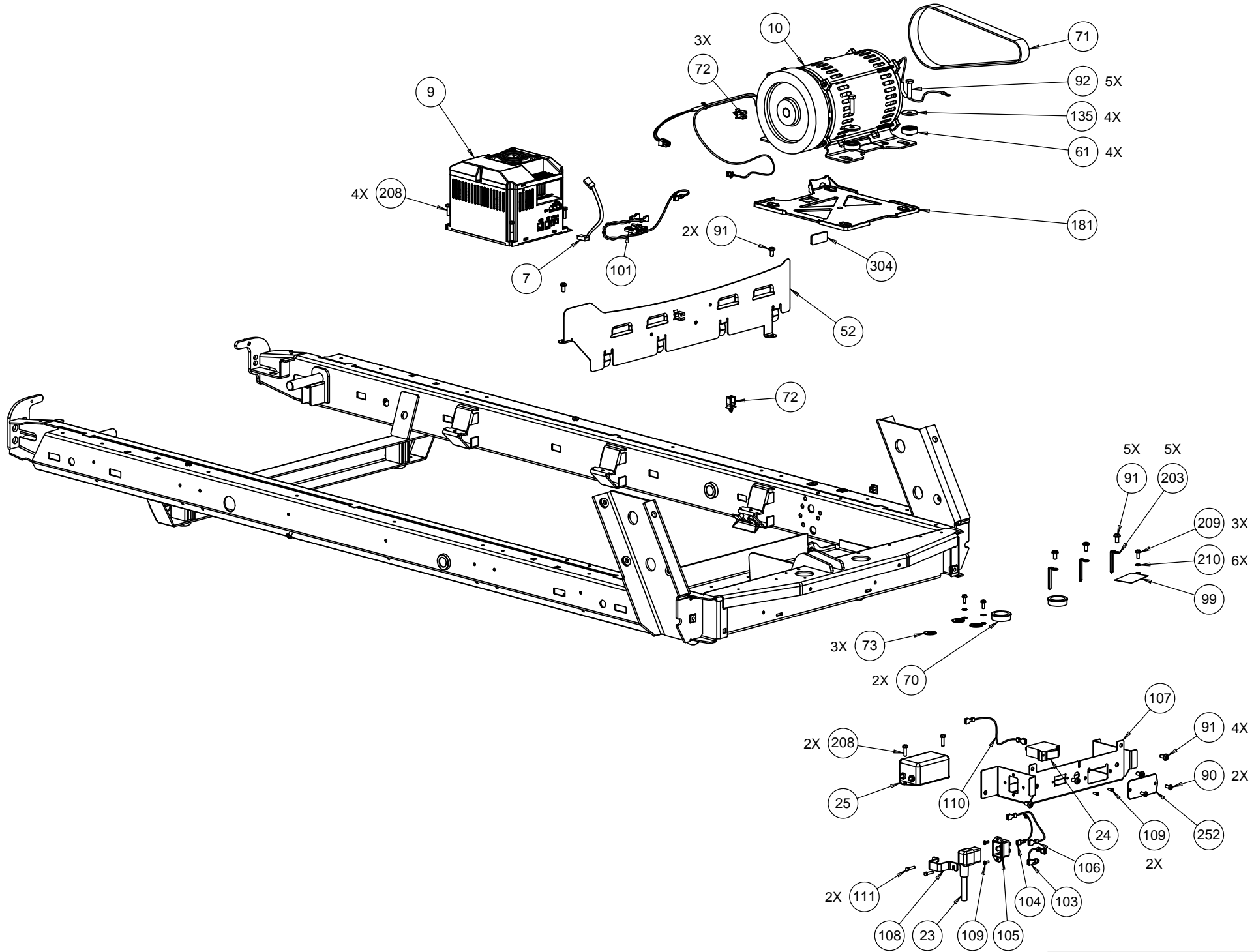


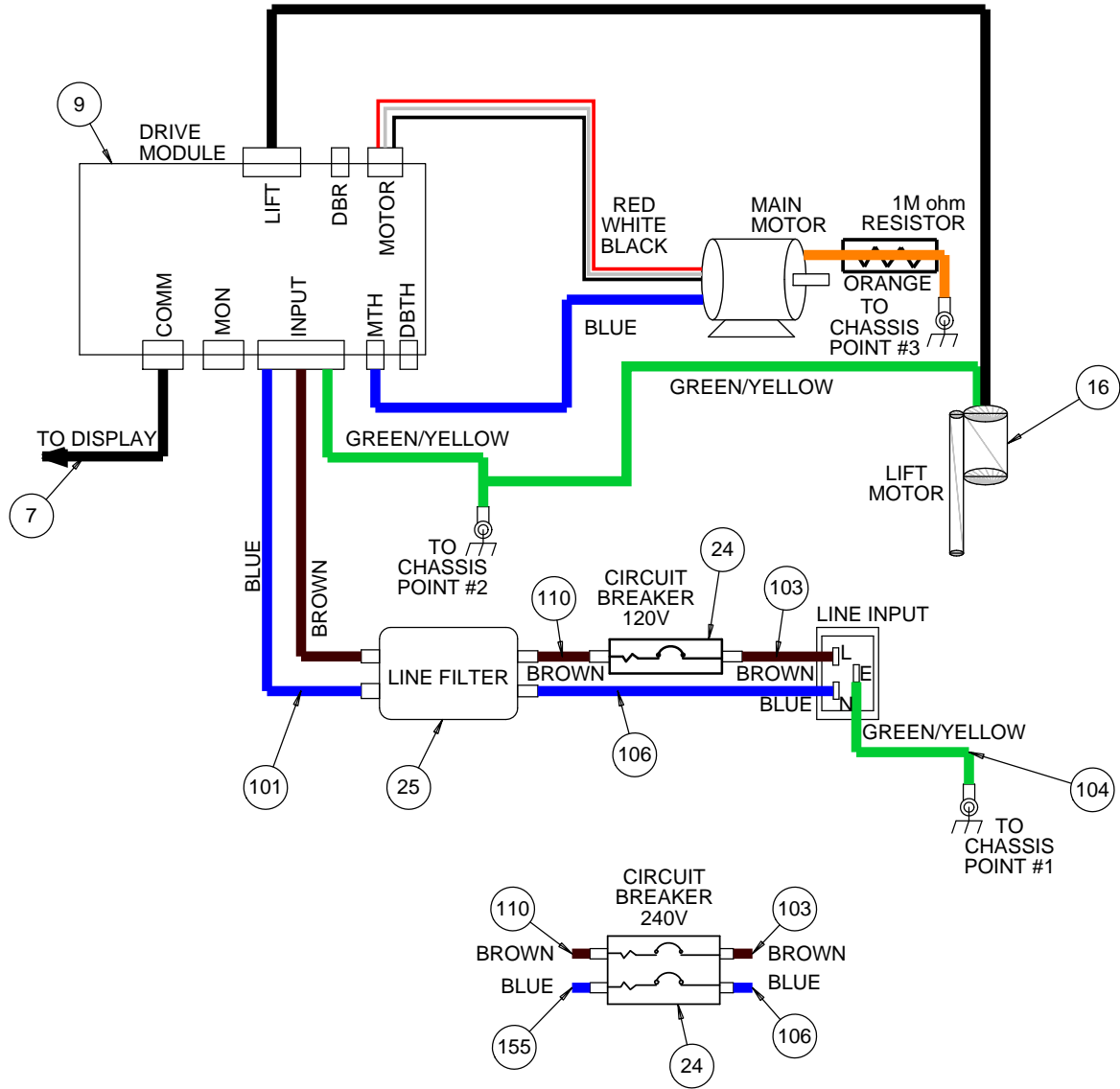
D

C

B

A





| Bubble# | OEM Number | Description |
|---------|---------------------|---------------------------------------|
| 2 | PPP000000059120103 | DECK WITH SHIPPER, TRM600, W/WAX |
| 2.02 | PPP000000305424101 | CAP, CAPPLUGS BRAND, PIP-7/8 |
| 7 | PPP000000044905108 | ASSY,CBL,MOD,8P8C,1-1,SILVER,108 in. |
| 9 | PPP000000304642101 | ASSY,TRM600 230V,LOWER |
| 14 | PPP00000MNCN025150 | SCREW,FLAT HD PHIL,1/4-20 X 1.50,ST |
| 16 | PPP000000302625106 | MOTOR, LIFT ACTUATOR, 230V, 282S PO |
| 19 | PPP000000304612104 | ASSEMBLY, ROLLER, DRIVE, TRM600 |
| 20 | PPP000000035677111 | ASSEMBLY, ROLLER, REAR, 9.3X-07,UNCOA |
| 24 | PPP000000011462243 | SCKT BRKR,250V,MAGNETIC,ROCKER,2 PO |
| 25 | PPP000000011350101 | FILTER, POWER LINE, #10 PANEL MOUNT |
| 50 | PPP000000304728103 | TARGA, LH, TRM700, GMS |
| 51 | PPP000000304728104 | TARGA, RH, TRM700, GMS |
| 53 | PPP000000010401106 | PIN,CLEVIS, 3/8 X 1.75, ZINC |
| 54 | PPP000000010400103 | PIN, HITCH, .093 DIA, ZINC, #203 |
| 55 | PPP000000045669107 | PIN, LIFT PIVOT, 3.34, MUSHROOM HEA |
| 56 | PPP000000302468101 | WELDMENT, LIFT PLATFORM, PAINTED |
| 57 | PPP000000044270101 | WHEEL, LIFT |
| 59 | PPP000000302485103 | PIN, LIFT PIVOT |
| 61 | PPP000000302616104 | WASHER, TOP HAT, MOTOR |
| 65 | PPP000000036192101 | BUSHING, SPANNER |
| 66 | PPP00000HCTN050275 | SCREW,HEX,GR 5,1/2-13X2-3/4,BLK SHR |
| 67 | PPP00000WBZN050008 | WASHER, FLAT,1/2,.086 BLK CVS |
| 68 | PPP00000KBTKN050055 | NUT, HEX FLANGE, NYLON INSERT, 1/2, |
| 70 | PPP000000010178112 | BUSHING, SNAP |
| 71 | PPP000000010214101 | BELT, DRIVE, 280J10 POLY V, TEM |
| 72 | PPP000000011278101 | CABLE CLAMP,INSERT |
| 73 | PPP000000033984101 | LABEL, SAFETY, GROUND SYMBOL |
| 75 | PPP000000304595101 | PIVOT, REAR DECK |
| 76 | PPP000000302482101 | CUSHION, GFX |
| 79 | PPP000000304590102 | ASSY,TRIM LANDINGS,RIGHT,LED BLUE |
| 80 | PPP000000304590101 | ASSY,TRIM LANDINGS,LEFT,LED BLUE |
| 81 | PPP000000304593104 | END CAP, TUNGSTEN GRAY, RIGHT |
| 82 | PPP000000304593103 | END CAP, TUNGSTEN GRAY, LEFT |
| 84 | PPP000000304036106 | EXTRUSION, SIDE TRIM, RH, GMS |
| 85 | PPP000000304036105 | EXTRUSION, SIDE TRIM, LH, GMS |
| 86 | PPP00000PANCN025075 | SCREW,SELF-TAP,TRI,PAN HD PHIL,1/4- |
| 90 | PPP00000PANTN019075 | SCREW,S/T,#10-24X3/4,PANHD,PHIL,TRI |
| 91 | PPP00000PANTN025050 | SCREW,S/T,#1/4-20X1/2,PANHD,PHIL,TR |
| 93 | PPP00000CAME038063 | SHCS,3/8-16 X .625 ,NYLOK,STL,MECH |
| 97 | PPP00000WAWNN038004 | WASHER,INTERNAL TOOTH LOCK,3/8,STAI |
| 98 | PPP00000THME038056 | SCREW, BHCS, 3/8-16 X 9/16, STL, ME |
| 99 | PPP000000302542101 | LABEL, WARNING, BLEED DOWN CABLE AT |
| 101 | PPP000000303042010 | CABLE, FILTER TO DRIVE MODULE,10 in. |
| 102 | PPP000000037436101 | LABEL, CHASIS NEUTRAL |
| 103 | PPP000000040193005 | ASSY,CBL,1C,12AWG,250X032 QD RECP(X |
| 104 | PPP000000040195008 | CBL,1C,14AWG,,#10 RING,250X032 QD R |

| | | |
|-----|--------------------|-------------------------------------|
| 105 | PPP00000045381101 | IEC 16/20A POWER CORD INLET |
| 106 | PPP00000302226009 | ASSY,CBL,1C,12AWG,250X032 QD RECP(X |
| 107 | PPP00000302466101 | BRACKET, POWER ENTRY |
| 109 | PPP00000MGCN013038 | SCREW,MCH,6-32X3/8,PANHD,PHIL, |
| 110 | PPP00000040193009 | ASSY,CBL,1C,12AWG,250X032 QD RECP(X |
| 111 | PPP00000HNCN016075 | HHCS,MCH,#8-32 X .75,STL,CLR ZN |
| 124 | PPP00000304623101 | FOOT, REAR LEVELING |
| 134 | PPP00000WBCN025006 | WASHER,FLT,1/4X.500X.063,ZN (MECH |
| 135 | PPP0000WABCN031011 | WASHER,FENDER,EXTRA THICK,HARDENED |
| 136 | PPP00000CFCA031300 | SHCS,5/16-18 X 3.00,STL FT,CLEAR ZN |
| 145 | PPP00000302583103 | ASSY,HOOD TRANSITION,LH,TUNGSTEN |
| 146 | PPP00000302583104 | ASSY,HOOD TRANSITION,RH,TUNGSTEN |
| 155 | PPP00000302226005 | ASSY,CBL,1C,12AWG,250X032 QD RECP(X |
| 160 | PPP00000302549103 | ASSY, HOOD,TUNGSTEN,NO BADGE |
| 161 | PPP00000302552101 | INDICATOR, STATUS, LIGHT PIPE |
| 163 | PPP0000PARCN019038 | SCREW,SELF-TAP,TRI,PAN HD PHIL,#10 |
| 181 | PPP00000302614102 | ISOLATOR, PLASTIC MOTOR |
| 200 | PPP00000302577106 | HARDWARE KIT W/STAR, TRM700-16, GMS |
| 202 | PPP00000013216101 | HARDWARE, COMPRESSION LIMITER 6MM X |
| 203 | PPP00000013217101 | WIRE CLAMP, .25 INCH FASTENER, META |
| 204 | PPP00000013222101 | SQUARE PLASTI-GROMMET, 1/4 IN FSTNR |
| 205 | PPP00000303316101 | ANCHOR, SIDE TRIM, INDEXING |
| 206 | PPP00000302520101 | TRIM LANDING, ANCHOR, MOUNTING BLOC |
| 208 | PPP0000PBDCA019075 | SCREW,SELF-TAP,TRI,WASHER HD HEX,10 |
| 209 | PPP0000PBJCG019050 | SCREW,SELF-TAP,TYPF,WASHER HD HEX/S |
| 210 | PPP0000WAMCN019002 | WASHER, LOCK, EXT TOOTH, #10 |
| 251 | PPP00000300678101 | LABEL, HOOD ALUMINUM, NEW LOGO |
| 252 | PPP00000303538101 | BLANKING PLATE, INTERFACE |
| 301 | PPP00000304585102 | BELT TRACKER, VERTICAL, HEAT TREATE |
| 303 | PPP00000304620101 | SPACER, TAKE-UP ROLLER |
| 304 | PPP00000304609101 | PLATE, MOTOR TENSIONER |
| 305 | PPP00000AAHN075004 | RETAINING RING,EXTERNAL,3/4,ROTOR C |
| 306 | PPP00000302440101 | ANCHOR, SIDE TRIM |
| 310 | PPP00000010135101 | NUT, THREADED, TINNERMAN, 5/16-18 |
| 329 | PPP00000WNNN075003 | WASHER,FLAT,.75 X 1.125 X .031,STL |
| 999 | PPP00000305281900 | TRM600/700 COMBINED LITERATURE KIT- |